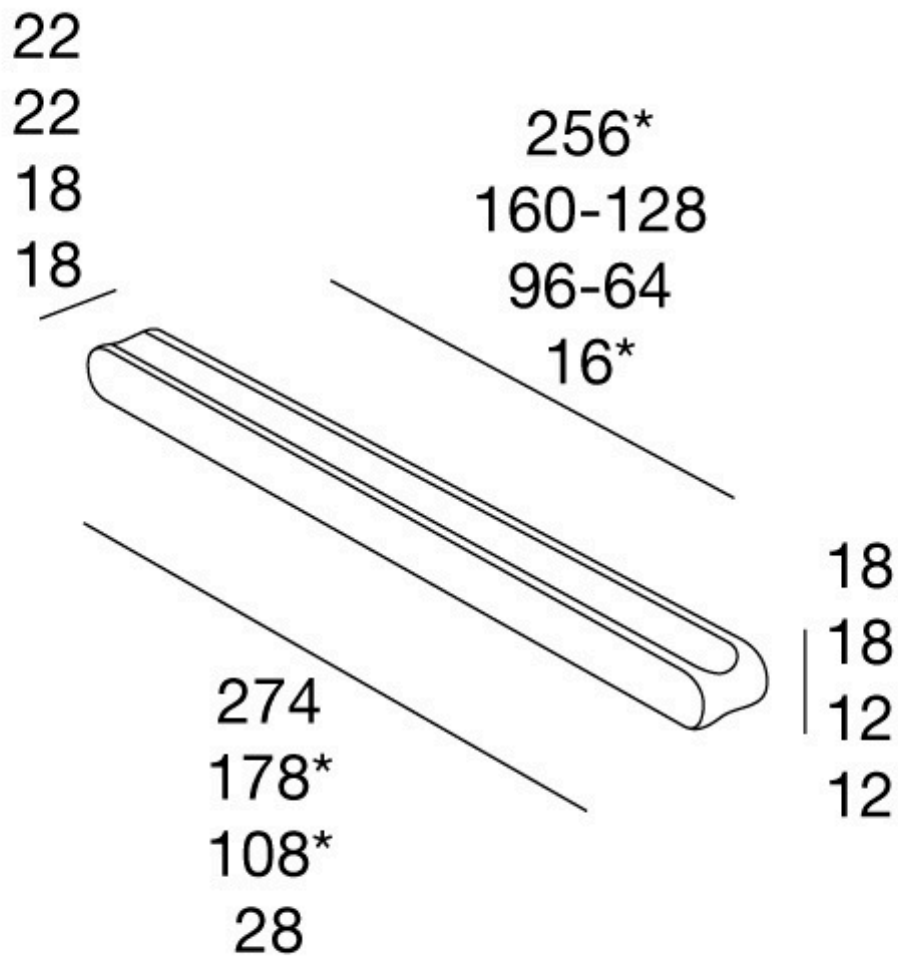


# pamar

## MN 1172 Z



interasse multiplo / multiple Inter-axial